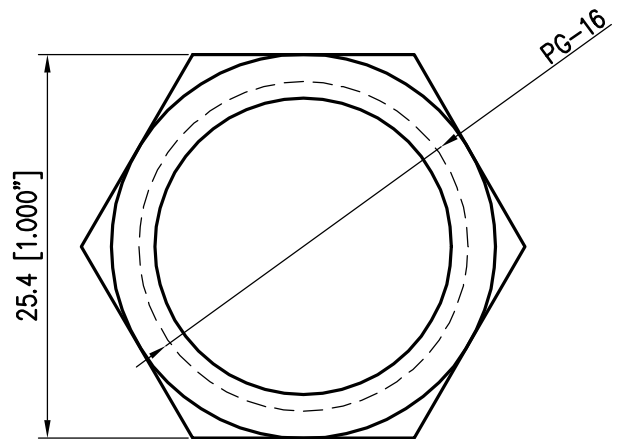
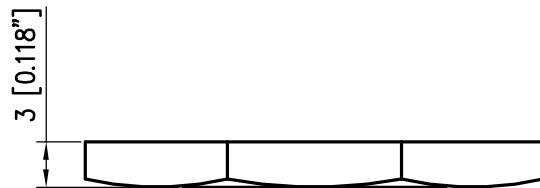


1. SPECIFICATIONS:

HOUSING MATL: ALUMINIUM 6061 T6
 CONNECTION: PVC WIRES 24 AWG
 SWITCHING VOLTAGE: 1 – 24V AC/DC
 SWITCHING CURRENT: 0.200 A
 SWITCH RESISTANCE "ON": <20 OHMS
 SWITCH RESISTANCE "OFF": >5 MOHMS
 ACTUATION FORCE: 3–5 N
 MAKE IMPULSE TIME: 125–300 mSEC
 OPERATING AND STORAGE TEMP: –40°C TO +125°C

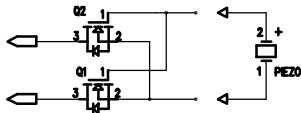
2. FINISH:

ANODISE THICKNESS: 6–10 μm
 COLOR: NATURAL



WIRING

RED } 1–24V AC/DC
 RED } 0.2A SWITCH



		ALUMINIUM 6061 T651	Tolerance ±0.1				
Itemref	Quantity	Title/Name, designation, material, dimension etc				Article No./Reference	
Designed by Moshe	Checked by Armand	Approved /date	Filename 10502000_605–600	Drawing_n 605–600	Scale 3:1	Date 04.04.2005	
		Baran House 8 Omarim St. Omer industrial area 84965 Israel		SMA2AAW1N			
ADVANCED TECHNOLOGIES		Tel. 972–8–6200020 Fax. 972–8–6200021		Cat no. 10502000	Edition 1	Sheet 1/1	