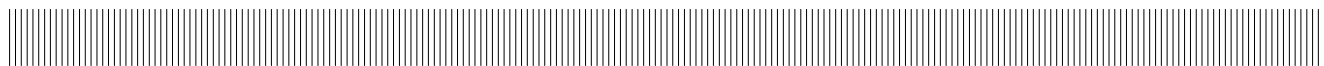
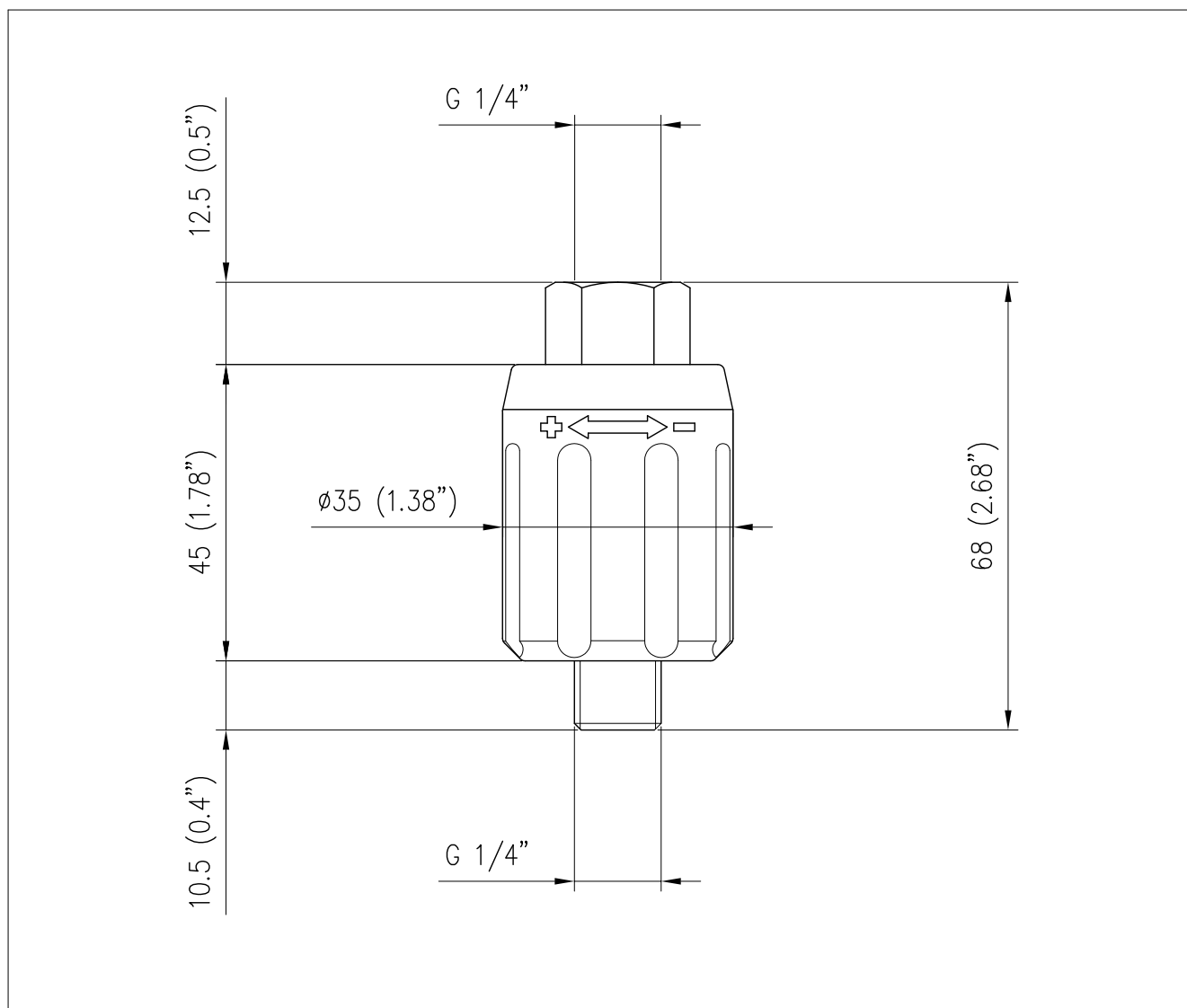
	EQUIPAGGIAMENTI TECNICI LAVAGGIO	RF1 - REGOLATORE DI PORTATA RF1 - FLOW REGULATOR 29.0400.00	①	<div style="border: 2px solid black; padding: 2px; display: inline-block;">2</div>
			Ⓜ	



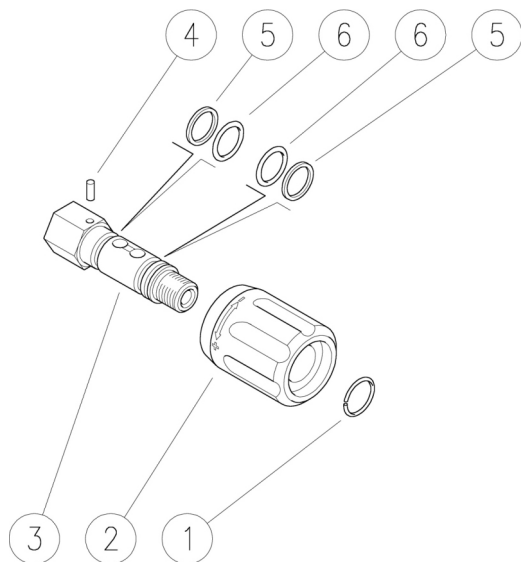
SPECIFICHE TECNICHE
SPECIFICATIONS


- PRESSIONE NOMINALE RATED PRESSURE	250 bar - 25 MPa (3650 psi)
- PRESSIONE CONSENTITA PERMISSIBLE PRESSURE	280 bar - 28 MPa (4050 psi)
- PORTATA MASSIMA MAX FLOW RATE	30 l/min (8 USG p.m.)
- TEMPERATURA MASSIMA MAX WORKING TEMPERATURE	160° C (320 °F)
- MATERIALE MATERIAL	CORPO IN OTTONE E IMPUGNATURA IN PLASTICA ANTIURTO BRASS BODY AND SHOCKPROOF PLASTIC HANDLE

MISURE D'INGOMBRO
OVERALL DIMENSIONS

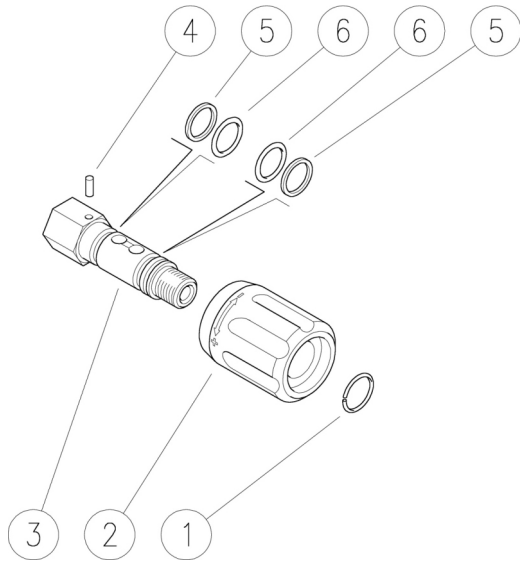



29.0400.00 RF1 Regolatore portata G1/4 MF



Pos.	Codice	Descrizione	Q.tà	K1	K2	K3	K4	
1	29.0402.51	An. elast. 1,6x14,3 mm inox	1					5
2	29.0403.22	Manopola RF1 PA nero	1					3
3	29.0401.31	Albero vuoto G1/4 MF ott.	1					3
4	15.1018.00	Spina cil. 3x8 mm inox	1					10
5	10.4013.00	An. anties. 16x13,2x1,2 mm	2					10
6	10.3060.00	An.OR 1,78x12,42 mm	2					10

29.0400.00 RF1 Flow regulator 1/4MF Bsp



Pos.	P/N	Description	Q.ty	K1	K2	K3	K4	
1	29.0402.51	Snap ring, 1,6x14,3 mm Sst.	1					5
2	29.0403.22	Knob -RF1, PA black	1					3
3	29.0401.31	Hollow shaft, 1/4Bsp MF brass	1					3
4	15.1018.00	Parallel pin, 3x8 mm Sst.	1					10
5	10.4013.00	Back-up ring, 16x13,2x1,2 mm	2					10
6	10.3060.00	O-ring, 1,78x12,42 mm	2					10



P.A. S.p.A.

Via Milano, 13
42048 Rubiera, Reggio Emilia - Italy

Tel +39.0522.623611
Fax +39.0522.629600

info@pa-etl.it

www.pa-etl.it



COMPANY WITH QUALITY MANAGEMENT
SYSTEM CERTIFIED BY DNV
= ISO 9001 =